



Project:	
Type:	
Catalog #:	

## VT5 Fluorescent Vaportight

### HOUSING

- One-piece compression-molded polyester fiberglass housing
- Poured in place gasket and polycarbonate cam latches seal the enclosure
- 1/2" conduit entry holes in each end of housing with watertight plug



### ELECTRICAL

- Thermally protected electronic 120/277 ballast

### OPTICAL SYSTEM

- High reflectance component tray reflector
- Linear high impact ribbed acrylic lens standard
- Polycarbonate lens available
- T8 or T5-HO applications
- Optional Miro4 reflector - 95% reflectivity

### MOUNTING

- Durable stainless steel mounting hardware
- Housing never has to be drilled for installation, reducing time spent installing

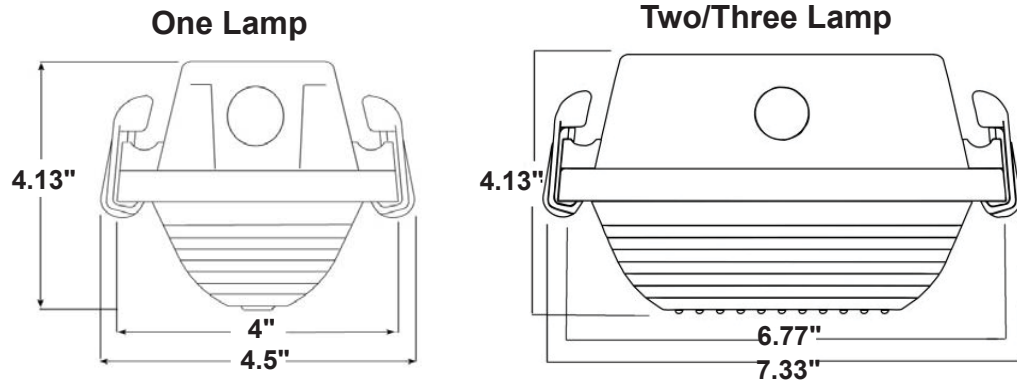
### CODE COMPLIANCE

- UL Listed for Wet Locations
- IP65 and IP67 Certified
- NSF Splash Zone certified

### WARRANTY

- 1 year warranty on fixture
- 5 year warranty on ballast

### ORDERING INFORMATION



MODEL	LAMPS	WATTAGE	LENS	BALLAST	OPTIONS
VT5	1	17 (24" - 1, 2 or 3 lamp)	Blank - Ribbed Acrylic	MT -120/277V	MB1 - 1 light mounting bracket
	2	32 (48" - 1, 2 or 3 lamp)	PCL - Polycarbonate	HBF - High Ballast Factor	MB2 - 2/3 light mounting bracket
	3	32T (96" - 2 or 3 lamp - tandem)		PB - Program Start	TL - Tamper Resistant Latches
		14 (22" - 1, 2 or 3 lamp)		PHBF - Prgrm Start HBF	SL - Stainless Steel Latches
		28 (46" - 1, 2 or 3 lamp)		2BAL - Two AC Ballasts	TSL - Tamper res. stainless latch
		28T (96" - 2 or 3 lamp - tandem)			EM4 - 450 T8 emergency ballast
		24 (22" - 1, 2 or 3 lamp)			EM14 - 1400 T8 emergency ballast
		54 (46" - 1 or 2 lamp)			EM5 - 500 T5 emergency ballast
					EM8 - 800 T5HO emergency ballast
					EM13 - 1300 T5HO emergency ballast
				MW - Miro4 Reflector	

### MODEL LAMPS WATTAGE LENS BALLAST OPTIONS

Specifications and dimensions subject to change without notice.