



Project:	
Type:	
Catalog #:	

Model RHWP-LED Outdoor LED Remote Heads

HOUSING

- Sealed and gasketed remote heads
- Offered in thermoplastic or die-cast aluminum
- Available in a gray or black finish
- Universal mounting base mounts to a single gang switch box
- Suitable for wall or ceiling mount

ELECTRICAL

- Powered from low voltage power source with low voltage wiring (not provided)

LAMPS

- Chrome-plated metalized reflector and plastic lens
- 1W (8LEDs) or 1.5W (12LEDs) available

CODE COMPLIANCE

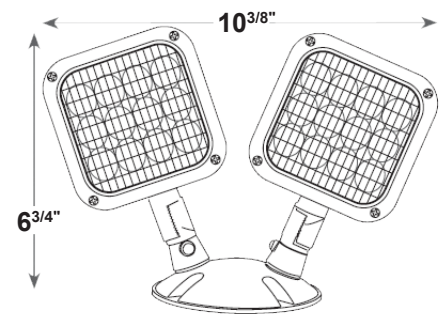
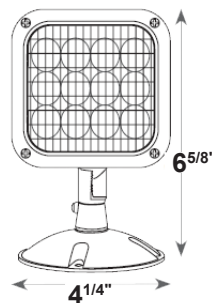
- UL924 Listed for Wet Locations

WARRANTY

- 5 year warranty



MODEL	3.6V	9.6V
XC-LED		X
XCLB		X
CAC	X	
EM1-LED-RC	X	
WLEM-LED		X



ORDERING INFORMATION

MODEL	OPTIONS
RH1WP-LED-3.6V-*	HO - 12 LEDs High Output (8LEDs standard)
RH1WP-LED-9.6V-*	BLK - Black Housing (gray standard)
RH2WP-LED-3.6V-*	SD - For use with units with a self diagnostic option
RH2WP-LED-9.6V-*	
* Specify -MV for multi-volt option	
*Specify M for Metal or P for Thermoplastic	

MODEL	OPTIONS
_____	_____

Specifications and dimensions subject to change without notice.

EELP • 2577 Neshaminy Interplex Dr. - KOR A, Suite 102 - Trevoze, PA 19053 • Phone: 800-490-4496 • Fax: 877-634-6887 • www.eelp.net

RHWP LED 08252014