



Project:	
Type:	
Catalog #:	

HB9-HT

High Temperature NEMA 4X Vaporproof High Bay

HOUSING

- High Temperature control system (-HT) includes integral aluminum rail
- Made in the USA
- UL5VA Fiberglass construction
- UV protected lens made of either 100% clear impact resistant acrylic or UV stabilized polycarbonate
- Wet location, vapor proof, easily washed down
- Continuous poured gasket
- Polycarbonate latches standard with optional stainless steel available
- Surface or suspension mounting zinc plated (standard) or stainless steel mounting strap (available)
- Several mounting options available
- Can be installed without drilling holes through the housing

ELECTRICAL

- Electronic, instant start Multi Tap (MT) 120-277V ballast, <10% THD standard (T8)
- Electronic, program start Multi Tap (MT) 120-277V ballast, <10% THD standard (T5 / T5HO)
- 480V Available
- Ballast mounted on aluminum rail increasing operating ambient temperature to 140°F

OPTICAL SYSTEM

- Full specular Miro 4 reflector standard
- T8 or T5HO applications

CODE COMPLIANCE

- UL & CUL listed for Wet Locations
- IP65, IP66 and IP67 Certified
- NEMA 4X
- NSF splash zone certified
- RoHS Compliant

WARRANTY

- 1-year warranty on fixture
- 5-year warranty on ballast



ORDERING INFORMATION

MODEL	LAMPS	REFLECTOR	BALLAST	OPTIONS
HB9-HT	4x32	MW - Miro4 Reflector	MT - Multi Tap	EM500 - 500 Lumen Emergency Ballast (T8)
	4x54	WH - White Reflector	480V - 480 Volt	EM800 - 800 Lumen Emergency Ballast (T5)
	6x32		HBF - High Ballast Factor	EM1300 - 1300 Lumen Emergency Ballast (T5)
	6x54		PB - Programmable Start Ballast	EM1400 - 1400 Lumen Emergency Ballast (T8)
			PHBF - Programmable Start HBF	OS - Occupancy Sensor
			2BAL - Two AC Ballasts	OSWL - Occupancy Sensor Wet Location
				CP1 - 120V 8' Cordset with Plug- 5-15P
				CP2 - 277V 8' Cordset with Plug- 7-15P
				GK15 - 15' Grippler Kit
				SSV - Stainless Steel V-Hook Mount
				SSM - Stainless Steel Mounting Strap
				SSCF - Stainless Steel Flexible Ceiling Mount
				SSCR - Stainless Steel Ridgid Mounting Beam

MODEL	LAMPS	REFLECTOR	BALLAST	OPTIONS

Specifications and dimensions subject to change without notice.

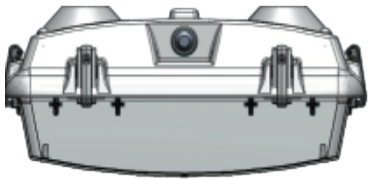


HB9 NEMA 4X Vaporproof High Bay)

DIMENSIONS

All dimensions are inches. Specifications subject to change without notice.

5.95" Depth

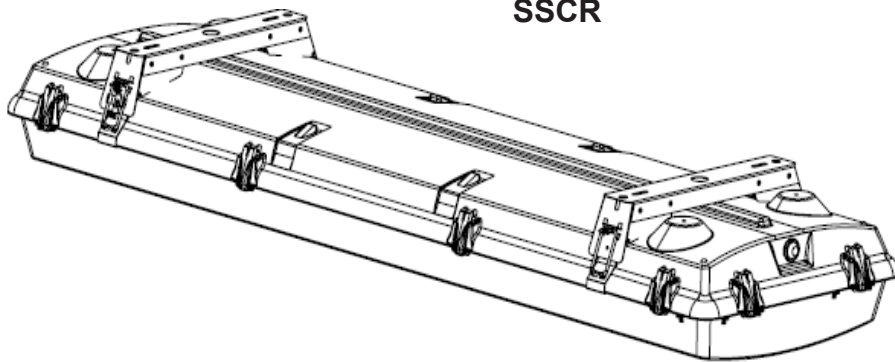


14.61" Width



51.91" Length

SSCR



Mounting Strap



SSV

