



Project:	
Type:	
Catalog #:	

HB8 Fluorescent High Bay

HOUSING

- 22 gage steel housing with baked white enamel finish
- Vented for cooler operation
- Hinged & latched door frame assembly (available)

ELECTRICAL

- Electronic, instant start Multi Tap (MT) 120-277V ballast, <10% THD standard (T8)
- Electronic, program start Multi Tap (MT) 120-277V ballast, <10% THD standard (T5 / T5HO)

OPTICAL SYSTEM

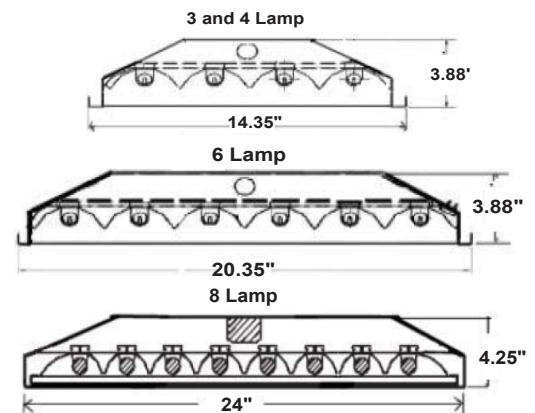
- Full specular Miro4 wide reflector standard (MW) provides 94% reflectivity
- Also available w/ white reflector, and Miro4 narrow
- 480V Available

CODE COMPLIANCE

- UL Listed for Damp Location

WARRANTY

- 1 year warranty



MODEL	LAMPS	REFLECTOR	BALLASTS	LENS	OPTIONS
HB8	3x32T8	MW - Miro4 Wide	MT - Multi-tap	Blank - No Door frame/lens	CK - 4-Point chain kit
	3x54T5	MN - Miro4 Narrow	480V - 480V	DFA1 - Door frame/lens - 0.10"	MP - Mono point mount
	4x32T8	WH - White	HBF - High Ballast Factor	DFA2 - Door frame/lens - 0.125"	GK10 - 10' Gripple Kit
	4x54T5		PB - Program Start	DFCL1 - Door frame/lens - 0.10"	GK15 - 15' Gripple Kit
	6x32T8		PHBF - Program Start HBF	DFCL2 - Door frame/lens - 0.125"	OSW - Occ Sensor
	6x54T5		DB - Dimmable Ballast		DFWG4 - Wire guard/door frame
	8x32T8		2BAL - Two AC Ballasts		DFWG6 - Wire guard/door frame
	8x54T5				DFWG8 - Wire guard/door frame
					WG4 - 4-Lamp wire guard
					WG6 - 6-Lamp wire guard
					WG8 - 8-Lamp wire guard
					EM500 - 500 lumen emergency ballast
					EM800 - 800 lumen emergency ballast
					EM1300 - 1300 lumen emergency ballast
					EM1400 - 1400 lumen emergency ballast
					EM3000 - 3000 lumen emergency ballast
					WP - 6' 3-wire flex whip
					CS1 - 8' Cordset w/o plug
					CP1 - 120V 8' cordset w. plug
					CT1 - 120V 8' w/ twistlock plug
					CP2 - 277V 8' cordset w. plug
					CT2 - 277V 8' w/ twistlock plug
					CT4 - 480V 8' w/ twistlock plug

MODEL LAMPS REFLECTOR BALLAST LENS OPTIONS

Specifications and dimensions subject to change without notice.