



Project:	
Type:	
Catalog #:	

Model STXC LED Steel Combo

HOUSING

- Durable 20-gauge steel construction
- Available in white or black powder-coat finish
- Design allows for double face field conversion
- Field selectable steel knockout chevrons

ELECTRICAL

- Dual voltage 120/277VAC
- Solid state charging and switching
- Brownout protection
- Overload and short circuit protection
- AC power indicator and test switch

LAMPS

- High intensity LED panel
- PAR36 lamp heads

BATTERY

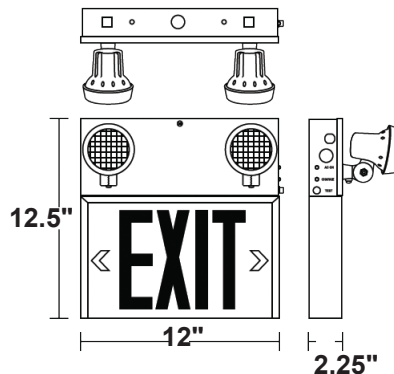
- Maintenance-free sealed lead acid battery
- Battery will operate fixture for a minimum of 90 minutes in the event of a power outage
- Recharge time is 24 hours
- Battery low voltage disconnect (LVD)
- Operating Temperature: 10°C - 45°C

CODE COMPLIANCE

- cSA Listed for Indoor Locations
- Meets UL924
- Meets BAA Requirements
- NFPA 101 Life Safety Code compliant
- NEC and OSHA compliant

WARRANTY

- 5 year warranty



ORDERING INFORMATION

MODEL	FACE #	LETTER	HOUSING	VOLTAGE/WATTAGE	OPTIONS
STXC	1	R - Red	W - White	6V12	FA - Fire Alarm Interface
	2	G - Green	B - Black	6V18	SD - Self Diagnostics
				6V27	IA - Audible Intermittent Alarm
				6V36	IV - Visual Intermittent Alarm
				12V27	VM - Voltmeter
				12V36	AM - Ammeter
					TD - Time Delay
					SM - Side Mounted Heads
					TPS - Tamper Proof Screws
					SWXE - Special Wording (prefix)
					SK - Stem Kit (specify length and color) (ex: SK12-W)
					SV - Special Voltage - 230V 50/60Hz
					#H - Halogen Lamps
					#[8W, 10W(6V only), 12W, 20W, 35W(12v only)]
					LED5W - 5W LED Lamps
					LED7W - 7W LED Lamps (12V only)

MODEL	FACE #	LETTER	HOUSING	OPTIONS
-	-	-	-	-

Specifications and dimensions subject to change without notice.