



Project:	
Type:	
Catalog #:	

Model PLEDG Surface Mount Thermoplastic LED Edgelit

HOUSING

- Impact resistant, 5VA flame retardant thermoplastic housing offered in aluminum, black or white finish
- Field installable chevrons
- Thermoplastic snap-mount canopy included for top, end or back mount

ELECTRICAL

- Dual voltage 120/277VAC
- Rated for use in damp locations
- Solid state charging and switching
- Brownout protection
- Overload and short circuit protection
- Bi-color LED indicator light alerts occupants of battery condition (Red: Check Battery, Green: Normal Operation)
- Input Wattage: 3.6W @ 120V; 4.0W @ 277V

ILLUMINATION

- UV-stabilized, ultra clear acrylic edgelit panel
- High intensity red or green LED panel
- Offered with single face **C**lear panel, single face **W**hite and **S**ilver mylar panels, and double face **W**hite and **S**ilver mylar panels

BATTERY

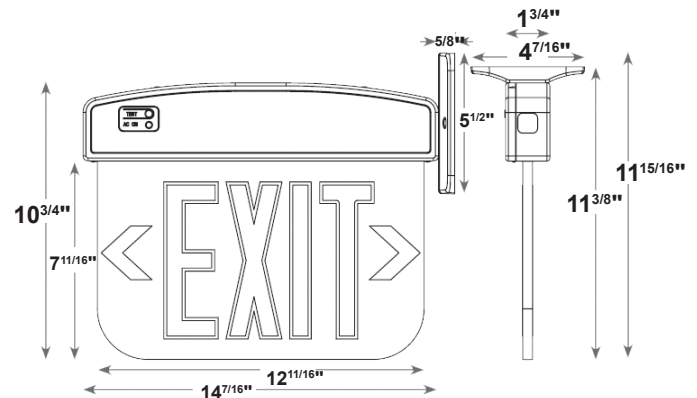
- Maintenance-free, 4.8V NiCad battery on EM model
- Battery will operate fixture for a minimum of 90 minutes in the event of a power outage
- Battery low voltage disconnect (LVD)
- Recharge time is 24 hours
- Operating Temperature: 0° - 50°C

CODE COMPLIANCE

- UL Listed for Damp Location
- Meets UL924 Requirements
- Meets NFPA Life Safety Code 101, NEC, OSHA, State and Local codes

WARRANTY

- 5 year warranty



ORDERING INFORMATION

MODEL	FACE/LETTER/PANEL	HOUSING	OPTIONS
PLEDG	1RC	W - White	EM - Battery Backup
	1GC	B - Black	SD - Self Diagnostics
	2RS	A - Aluminum	2C - Dual Circuit
	2RW		220 - 208/220/240V 50/60Hz (not with SD or 2C)
	2GS		SWXE (Prefix) - Special Wording
	2GW		
	3RS		
	3RW		
	3GS		
3GW			

*3 Face is a single face with mylar

MODEL	FACE/LETTER/PANEL	HOUSING	OPTIONS
-	-	-	-