



Project:	
Type:	
Catalog #:	

Model VR7-C-LED

Slim LED Canopy Light

HOUSING

- Heavy duty die cast housing w/ powder coated bronze finish
- Corrosion resistant housing and hardware
- Silicone rubber gasket

ELECTRICAL

- Multi Tap (120/277V)

OPTICAL SYSTEM

- Specular aluminum reflector
- High impact resistant polycarbonate lens optional
- Low starting temp -30°C
- Cree XP-E LED chips
- IC current controlled LED circuits
- High quality heat sinks for temperature control
- Approximately 95 lumens per LED
- 5K color temperature



MOUNTING

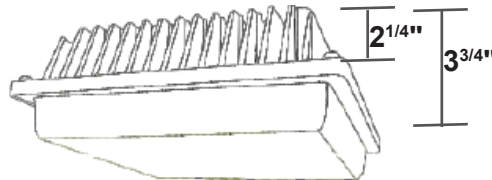
- Quick Mount hardware included

CODE COMPLIANCE

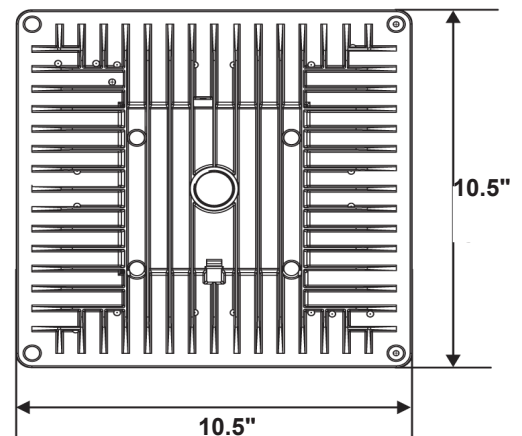
- UL and cUL Listed
- LM-79 & LM-80 Tested

WARRANTY

- 5 year warranty



DIMENSIONS



ORDERING INFORMATION

MODEL	WATTAGE	VOLTAGE	OPTIONS
VR7-C	30L	MT	L - White Polycarbonate Lens

**Fixtures without the lens are only available for orders of 150 pcs or more*

MODEL	WATTAGE	VOLTAGE
-------	---------	---------

Specifications and dimensions subject to change without notice.

Specifications

Quick mount
Hardware Included

Integrated "ONE PIECE"
Heat Sink for faster and
better cooling

Stainless hardware

High reflectance
aluminum reflector

Impact resistance
polycarbonate sandblasted
diffuser for optimal light distribution



Contractor friendly
"EASY MOUNT" solution