



Project:	
Type:	
Catalog #:	

## Model GL5-IND

### Induction Garage Lighter

#### HOUSING

- Heavy duty round die cast aluminum housing with built in heat sinks
- Textured powdercoat finish
- Corrosion resistant housing and hardware
- OxyShield 9-stage anti-oxidation process
- Silicone rubber gasket
- Ideal for garage lighting, cold storage or lowbay applications

#### ELECTRICAL

- 120V
- 240V
- 277V

#### OPTICAL SYSTEM

- White powdercoat steel reflector
- Extended clear polycarbonate prismatic drop lens

#### WATTAGE

- IND: 40, 80, 100 or 120W, 5000K

#### MOUNTING

- Comes with easy-hang bracket to fit 4" electrical box

#### CODE COMPLIANCE

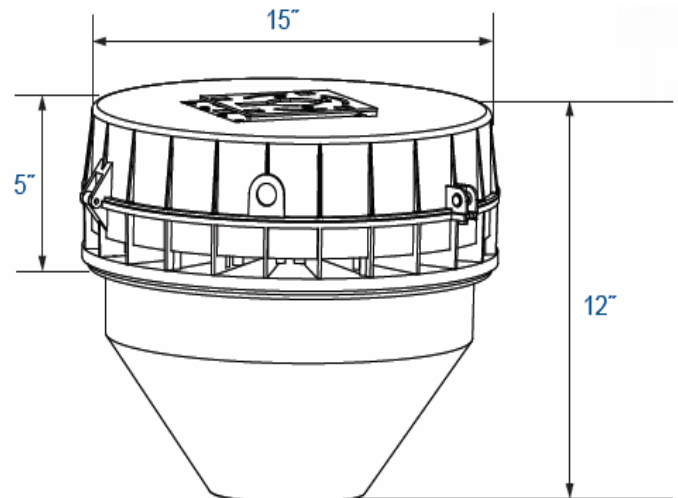
- CSA Listed for Damp Location
- Meets UL Requirements

#### WARRANTY

- 10 year warranty



#### DIMENSIONS



### ORDERING INFORMATION

MODEL	WATTAGE	VOLTAGE	COLOR	OPTIONS
GL5	40I	120V	BR - Bronze	CC - Custom Color
	80I	240V	WH - White	
	100I	277V	GR - Gray	
	120I			

MODEL	WATTAGE	VOLTAGE	COLOR	OPTIONS
-------	---------	---------	-------	---------

Specifications and dimensions subject to change without notice.